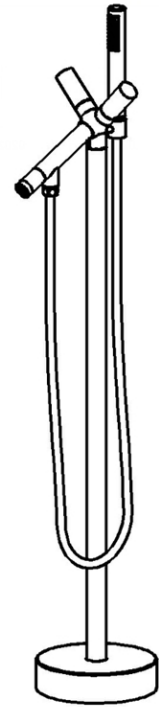


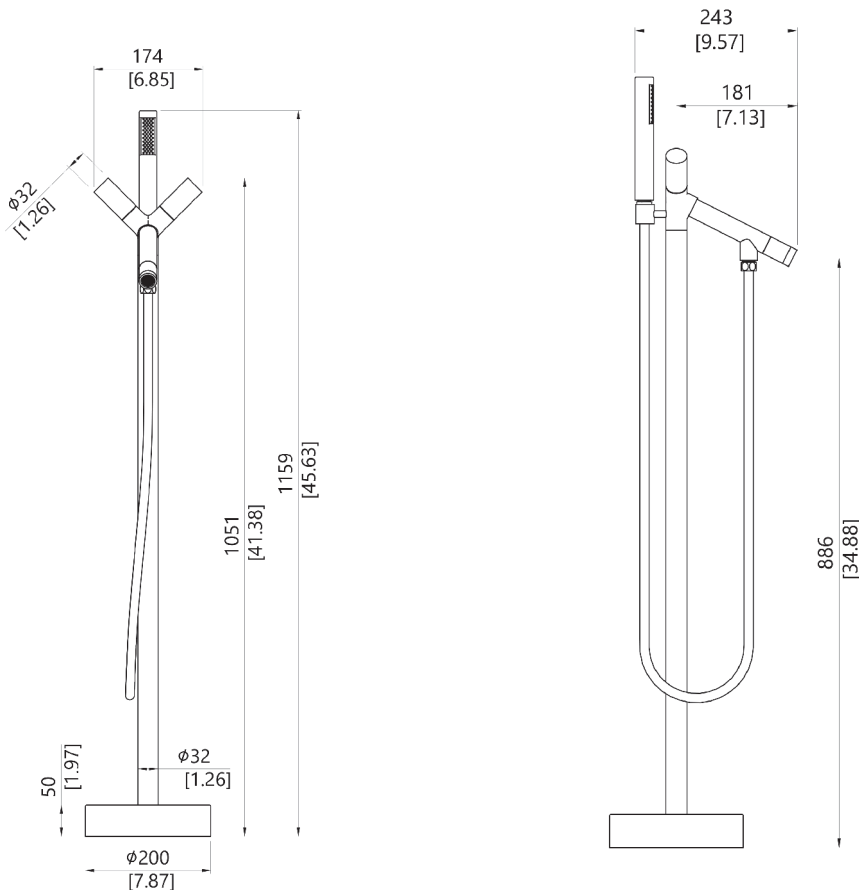
INSTALLATION SPECIFICATION

Model No.	F0125-BTF-BG
Description	Filler Faucet
Overall Dimensions	9.6"D×7.9"W×45.6"H
Flow Rate	3.1GPM
Faucet Height	45.6"
Spout Reach	7.1"
Spout Height	34.9"
Faucet Weight	8.8lbs
Faucet Certifications	cUPC, WaterMark, CE, ACS



Brulon
Freestanding Tub
Filler Faucet

All measurements are approximate. Measurements may vary +/- 1/2"



Unit: $\frac{\text{mm}}{\text{in}}$